

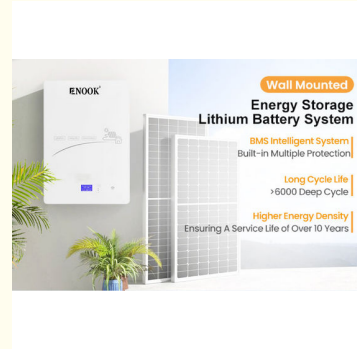
Solar Energy Storage System with 51.2V 90% Discharge Rate IP20 Protection

Our Product Introduction

for more products please visit us on enookbattery.com

Basic Information

- Place of Origin: China
- Brand Name: enook
- Certification: CE/ROHS/UN38.3/MSDS/DGC
- Model Number: energy storage system

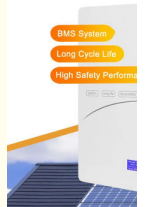
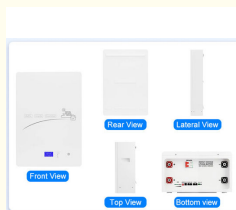


Product Specification

- The Charging Ratio: 90~93%
- Warranty: 5~10 Years
- The Discharge Rate: 90%
- Protection Level: IP20
- Size: Customizable
- Nominal Voltage: 51.2V
- Product Size(mm): 400*170*585



More Images



Product Description

Product Description:

Solar Energy Storage System

The Solar Energy Storage System is a revolutionary product that is designed to enhance the efficiency and effectiveness of solar energy storage. It is a battery storage system that is specifically designed for solar energy, making

Our Product

it the best battery for solar power storage. The system is customizable in size, making it suitable for both residential and commercial use. **With a nominal voltage of 51.2V**, it is designed to provide maximum power output and ensure a longer lifespan for your solar panels.

One of the key features of the Solar Energy Storage System is its high charging ratio of 90~93%. This means that it can charge at a faster rate, allowing you to use more of the stored energy in a shorter period of time. This is especially useful for those who are heavily reliant on solar energy for their daily needs.

The Solar Energy Storage System also offers a high level of protection with an IP20 rating. This ensures that the system is protected from dust and other foreign objects, making it suitable for both indoor and outdoor use. It also comes with various certifications including **CE, ROHS, UN38.3, MSDS, and DGC**, ensuring that it meets the highest safety standards.

Our solar energy storage solutions are designed to provide a reliable and efficient way to store solar energy. It is the perfect solution for those who are looking for a sustainable and cost-effective way to power their homes or businesses. With the Solar Energy Storage System, you can enjoy uninterrupted solar power supply even during power outages.

The home solar battery storage system is easy to install and maintain, making it a hassle-free solution for your energy needs. It is also compatible with most solar panels, making it a flexible option for those who already have an existing solar energy system in place. With the ability to store excess solar energy, you can reduce your reliance on the grid and save on electricity costs.

Investing in a solar panel battery storage system is a smart choice for those who are looking to reduce their carbon footprint and contribute to a cleaner environment. By utilizing the sun's energy, you can reduce your dependence on traditional energy sources and make a positive impact on the planet. The Solar Energy Storage System makes it easier for you to achieve this goal.

In conclusion, the Solar Energy Storage System is the perfect solution for those who want to make the most out of their solar energy system. With its high charging ratio, customizable size, and various certifications, it is truly the best battery for solar power storage. Invest in our solar energy storage batteries today and experience the benefits of a reliable and sustainable energy source.

PRODUCT SPECIFICATION

Energy Storage Lithium Battery System



Specification	48V50Ah	51.2V50Ah	48V100Ah	51.2V100Ah
Battery cell string	15S1P	16S1P	15S1P	16S1P
Capacity	2.4kWh	2.56kWh	4.8kWh	5.12kWh
Cycle	3000~ 6000 cycles@DOD 80%/25°C/0 . 5C			
Certification	CE/RoHS/UN38.3/MSDS/DGC			
Product Size(mm)	400*170*585			
Package Size(mm)	460*230*645	460*230*645	500*290*630	500*290*630
Net Weight(kg)	35	40	42	46
Gross Weight(kg)	40	45	50	54
Warranty	5~10 Years			

Features:

Product Name: Solar Energy Storage System

Battery Type: LifePO4 Lithium Battery Pack

Size: Customizable

The discharge rate: 90%

Certification: CE/ROHS/UN38.3/MSDS/DGC

The charging ratio: 90~93%

This Solar Energy Storage System is the perfect solution for solar power and battery storage. With its LifePO4 Lithium Battery Pack, it is the best battery for solar power storage. The customizable size makes it suitable for all types of house energy storage needs. It also has a high discharge rate of 90% and a charging ratio of 90~93%. This product is certified by CE, ROHS, UN38.3, MSDS, and DGC, ensuring its safety and quality. Its portable design allows for easy transport and use, making it the ideal choice for portable solar power storage.



Technical Parameters:

Product Name	Solar Energy Storage System
Nominal Voltage	51.2V
Product Size	400*170*585mm
Protection Level	IP20
Certification	CE/ROHS/UN38.3/MSDS/DGC
The Charging Ratio	90~93%
Warranty	5~10 Years
Weight	35kg-106kg
The Discharge Rate	90%
Size	Customizable
Battery Type	LifePO4 Lithium Battery Pack



Applications:

Solar Energy Storage System - enook

Are you looking for a reliable and efficient way to store solar energy? Look no further than enook's Energy Storage System! Our brand is dedicated to providing the best battery storage system for solar, making it the perfect choice for your renewable energy storage needs.

Product Attributes

Brand Name: enook

Model Number: energy storage system

Place of Origin: China

Protection Level: IP20

Charging Ratio: 90~93%

Discharge Rate: 90%

Certification: CE/ROHS/UN38.3/MSDS/DGC

Warranty: 5~10 Years

Application Scenarios

Our energy storage system is perfect for a variety of applications, including:

House Energy Storage: Our system is designed to store excess solar energy for use in your home, reducing your reliance on traditional energy sources and saving you money on your electricity bill.

Off-grid Power Supply: Whether you're camping, on a boat, or in a remote location, our system can provide reliable and efficient power without the need for a traditional power source.

Emergency Backup Power: In the event of a power outage, our system can provide backup power to keep your essential appliances running.

Commercial and Industrial Energy Storage: Our energy storage system is also suitable for larger scale applications, such as commercial and industrial buildings, providing a cost-effective and sustainable way to store and use solar energy.

Product Features

Our energy storage system has a range of features that make it the best battery for solar power storage:

Lithium Ion Battery: Our system uses advanced lithium ion battery technology, known for its high energy density and long lifespan.

High Efficiency: With a charging ratio of 90~93% and a discharge rate of 90%, our system is highly efficient, ensuring maximum use of the stored energy.

Safe and Reliable: Our system is designed with safety as a top priority, with protection against overcharging, overdischarging, and short circuits.

Intelligent Control: Our system is equipped with intelligent control technology, allowing for automatic detection and adjustment of charging and discharging parameters for optimal performance.

Easy Installation: Our energy storage system is designed for easy installation, with no complicated wiring or setup required.

Competitive Price: We are committed to providing our customers with high quality products at a competitive price, making our energy storage system an affordable choice for renewable energy storage.

Don't wait any longer to make the switch to renewable energy storage! Choose enook's Energy Storage System for a reliable, efficient, and affordable solution. Contact us today for more information or to place your order.

APPLICATION SCENARIO

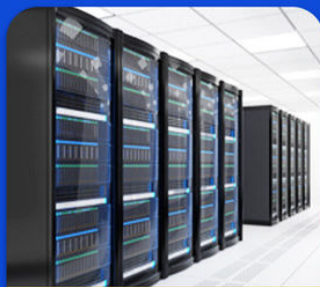
It can be used for both industrial & solar energy storage, as well as for UPS power supply in offices & small enterprises.



Small Enterprises



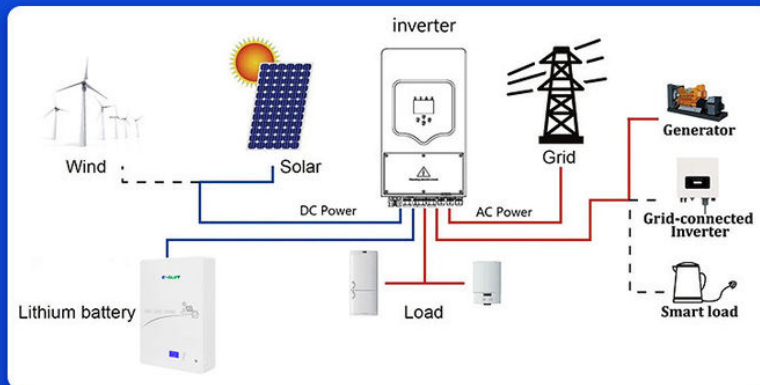
Industrial & Commercial energy Storage



UPS Power Supply In Offices



Solar Energy Storage



Customization:

Customized Service for enook Energy Storage System

Brand Name: enook

Model Number: Energy Storage System

Place of Origin: China

Warranty: 5~10 Years

Size: Customizable

Certification: CE/ROHS/UN38.3/MSDS/DGC

Key Features:

Designed for solar power and battery storage

Optimal battery storage system for solar energy

Customizable size to fit your specific needs

Long warranty period of 5~10 years

High charging ratio of 90~93%

Battery Type: LifePO4 Lithium Battery Pack

Complies with CE, ROHS, UN38.3, MSDS, and DGC certifications

Why choose enook Energy Storage System?

Efficient and reliable solution for storing solar energy

Customized service to meet your specific requirements

Long-lasting warranty for peace of mind

High-quality materials and advanced technology

Compliant with international safety and quality standards



Packing and Shipping:

Packaging and Shipping

Our Solar Energy Storage System is carefully packaged to ensure safe and secure delivery to our customers. Each component of the system is individually wrapped and cushioned with protective materials to prevent any damage during transit.

Packaging Materials

Thick cardboard boxes

Bubble wrap

Foam inserts

Plastic wrap

Tape

These materials are chosen for their durability and ability to protect the system from bumps, jolts, and other potential hazards during shipping.

Shipping Options

We offer various shipping options to accommodate our customers' needs. Our standard shipping is through reputable carriers such as UPS, FedEx, and DHL. Customers can also choose expedited shipping for faster delivery. For large orders, we offer freight shipping for a more cost-effective option. We also have international shipping available for our global customers.

Shipping Process

Once an order is placed, our team carefully packages the Solar Energy Storage System and prepares it for shipping. We ensure that all components are securely packed and labeled for easy identification. Our customers will receive a tracking number to monitor the status of their shipment. We strive to ship orders out within 1-2 business days.

At Solar Energy Storage System, we understand the importance of timely and safe delivery, and we take great care in our packaging and shipping process to ensure customer satisfaction.

PACKAGING



Shipping by



Professional suggestion to choose the best shipping delivery (Such as EMS DHL TNT UPS and FEDEX) for your commodities according to your demand.

CERTIFICATES



**OUR CERTIFICATES GIVE YOU RELIABLE
SUPPORT FOR YOUR ORDERS**



Company Introduction

Company Introduction

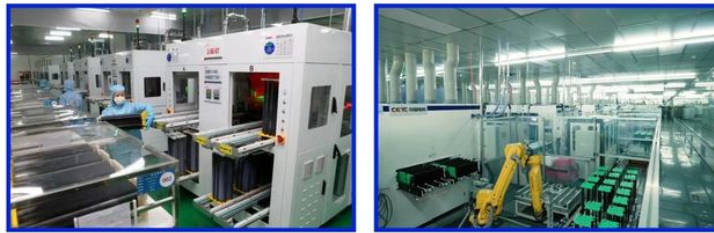
ShenZhen Enook Technology Co., Ltd company is professional manufacturer and supplier of lithium energy solutions, E-bike battery pack, which focus on manufacturing and designing of lithium cells and battery packs



Quality first is our principle, Satisfying all our customers is our tenet, win-win business is our aim. Dedicated to strict quality control and thoughtful customer service, our experienced staff members are always available to discuss each detailed requirements from customer and ensure full customer satisfaction.



In addition, we have obtained certificates. MSDS UN38.3 MSDS, ROHS, UL, etc. All our products keep selling well not only around China, but also in USA, Philippines, Germany, England, Australia, Russia, France and other European and Asia countries.



Fast delivery is one of our advantages, selecting a current product from catalogue, or customized products, 3~5 days is the normal time to prepare for the goods, OEM & ODM orders can be acceptable.

Quality is our life, price is our core competence, please don't hesitate to contact us if you have any requirement, we'll provide our best service to you.

Has passed CE certification and ROHS certification, excellent quality the company has obtained a number of patented technologies.



Changsha Enook Technology Co., Ltd

+8617752866093

wendy@enooktech.com

enookbattery.com

ROOM 1717, JIEZUO BUILDING, NO. 828, SECTION 1, FURONG SOUTH ROAD, TIANXIN DISTRICT,
CHANGSHA, HUNAN